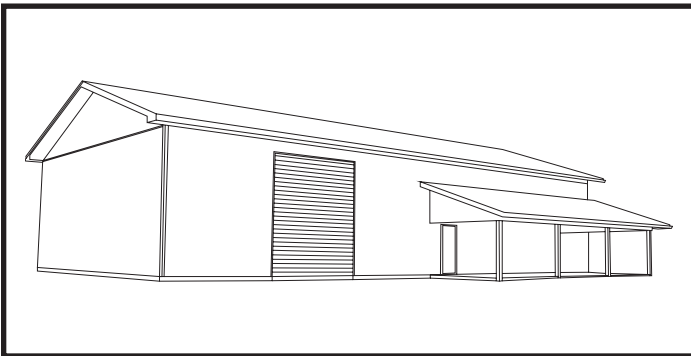
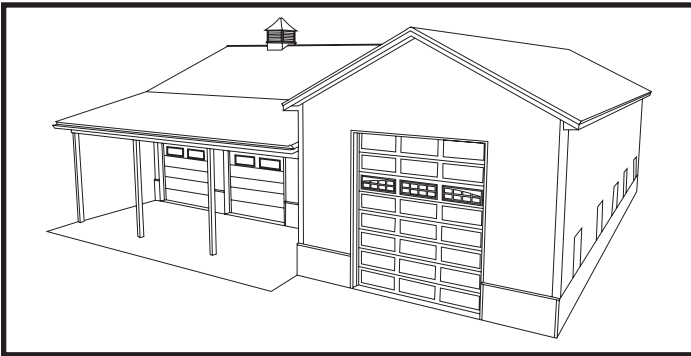


# Everlast II® & Everdrain® Post Frame Application Guide



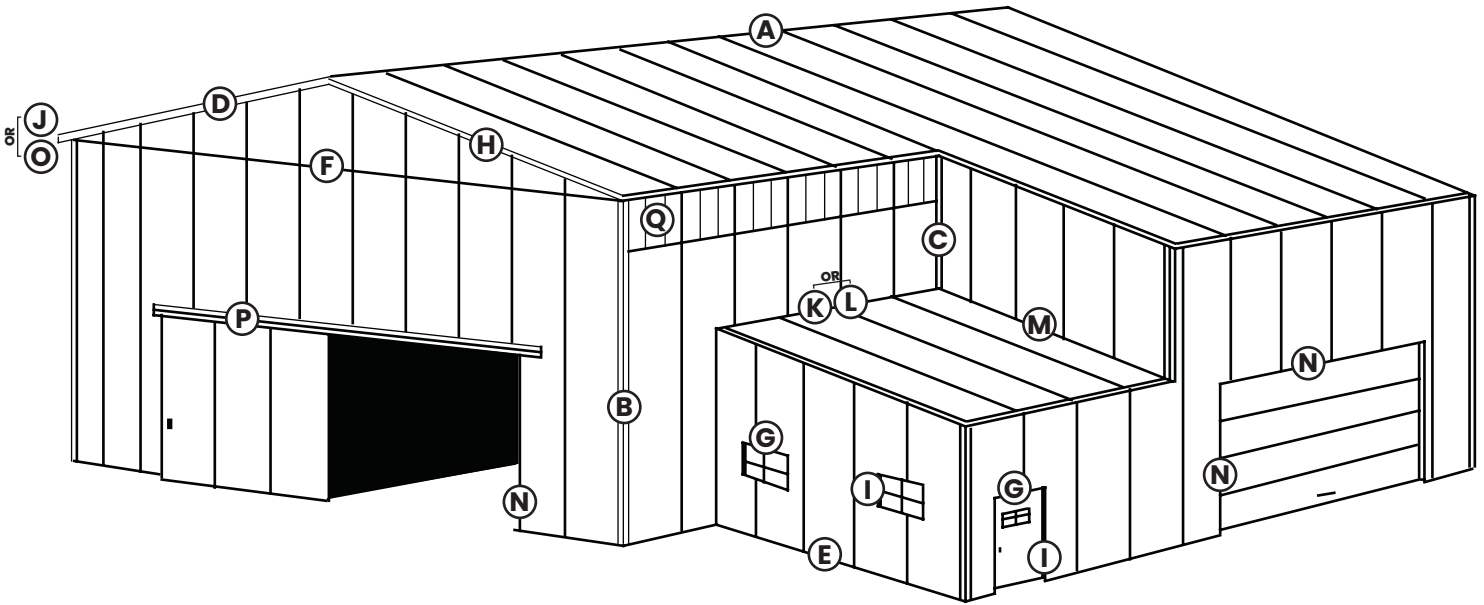
888.339.0059  
[www.everlastroofing.com](http://www.everlastroofing.com)



## Table of Contents

<b>Post Frame Trim</b>	04
<b>Application Guidelines</b>	
Safety and Minimum Slope	05
Material Handling and Storage	06
Installation Recommendations	07
Coverage / Screw & Nail Patterns	08-09
<b>Post Frame Details</b>	
Post Frame Universal Ridge	10
Post Frame Rake & Corner	10
Post Frame Base Angle	11
Post Frame Fascia Trim	11
Post Frame Gable Trim	12
Post Frame "J" Channel	12
Post Frame Double Angle	13
Post Frame Universal Sidewall	13
Post Frame Drip Cap	14
Post Frame Post Trim	14
Post Frame Universal Endwall	15
Post Frame "F" & "J" Trim	15
Post Frame Inside Corner	16
Post Frame Overhead Door	16
Post Frame Track Cover Cannonball FM	17
Post Frame Drip Edge	17
Post Frame Fascia & Soffit	18
Post Frame Formed Valley	18
Post Frame Notched Endwall EL	19

# Post Frame Trim



- |                 |                |                   |                             |
|-----------------|----------------|-------------------|-----------------------------|
| Ⓐ Ridge         | Ⓕ Double Angle | Ⓚ Endwall         | Ⓟ Track Cover Cannonball FM |
| Ⓑ Rake & Corner | Ⓖ Drip Cap     | Ⓛ Notched Endwall | Ⓠ Polycarbonate             |
| Ⓒ Inside Corner | Ⓗ Post Trim    | Ⓜ Sidewall        |                             |
| Ⓓ Gable         | Ⓡ "J" Channel  | Ⓝ Overhead Door   |                             |
| Ⓔ Base Angle    | Ⓢ "F" & "J"    | Ⓞ Fascia & Soffit |                             |

## Purpose

This application guide is intended to assist in the application of light gauge Everlast Roofing products on post frame structures. The details and illustrations in this manual may not be applicable to all building plans or field situations. It is the buyer's responsibility to verify all applicable code requirements, check all field measurements, and determine suitability of the material for the job.

# Application Guidelines

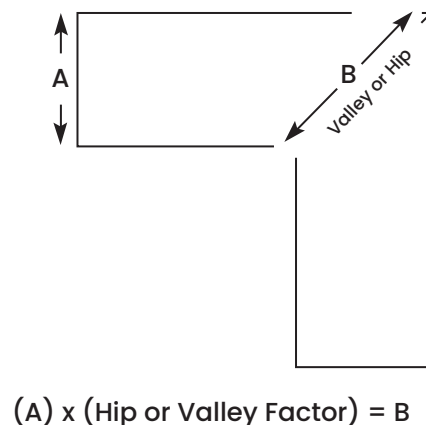
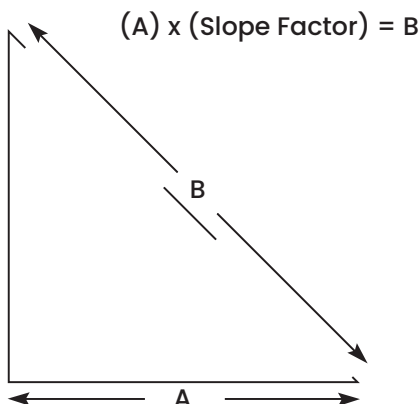
## Safety

Always work safely when installing metal products. Use extreme caution on a roof at all times, and wear gloves and safety glasses to avoid injury. Hearing protection should be used when power-cutting metal panels. Do not walk on panels until all fasteners are installed. Metal panels are slippery when wet, dusty, frosty, or oily. Do not attempt to walk on a metal roof under these conditions. Always use OSHA recommended safety harness or equipment when working on a roof. Wear soft-soled shoes to improve traction and to minimize damage to the paint finish. Always be aware of your position on the roof relative to any roof openings, roof edges, co-workers, and penetrations. Installing metal panels on a windy day can be dangerous and should be avoided. Consult OSHA guidelines for more comprehensive safety requirements.

## Minimum Slope

Everlast Roofing light gauge products are designed to be installed on pitches of no less than 3:12. Please contact an Everlast sales representative for product recommendations on lower sloped roofs.

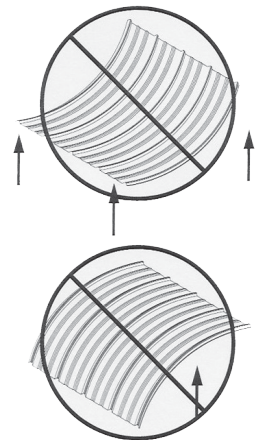
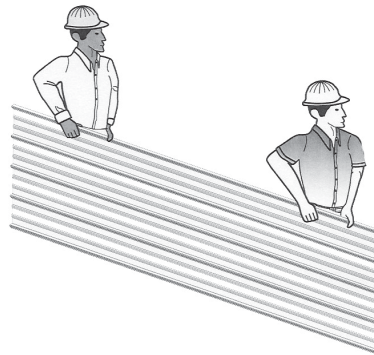
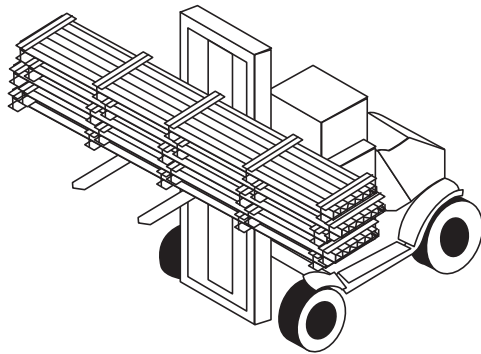
Pitch of Roof	1:12	2:12	3:12	4:12	5:12	6:12	7:12	8:12	9:12	10:12	11:12	12:12
Slope Factor	1.0035	1.0138	1.0308	1.0541	1.0833	1.1180	1.1577	1.2019	1.2500	1.3017	1.3566	1.4142
Valley & Hip Factor	1.4167	1.4240	1.4362	1.4530	1.4743	1.5000	1.5298	1.5635	1.6008	1.6415	1.6853	1.7320



# Material Handling & Storage

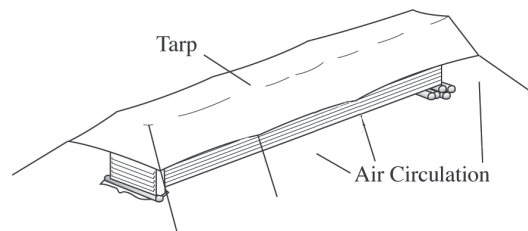
## Handling

- A. Do not lift panels from ends while flat. Lift the panels on edge when moving individual panels or when moving panels onto the roof.
- B. Do not unload in a jerking or bouncing fashion. While unloading, the bundle must be handled at lift point, specified by Everlast Roofing, Inc. Panels greater than 25' long should be unloaded using a spreader bar to prevent panels from bending.
- C. Although the paint coating is tough, dragging panels across the surface of one another will almost certainly damage the finish. Improper handling of metal panels may cause scratches to the paint finish. Everlast Roofing, Inc. offers matching touch-up paint in a variety of standard colors in the event of any scratches to the paint finish. **Please note:** touch-up paint will not weather as well or at the same rate as the original coating or finish.



## Storage

- A. If the material is not to be used immediately, it should be stored in a dry place. Moisture trapped between sheets may cause damage to the paint system. The paint system may become soft or water stains may appear which can detract from the appearance and affect the service life of the material. To avoid problems, store the materials in a well-ventilated dry area. Stack the materials in an incline position. **DO NOT USE PLASTIC TO COVER MATERIALS. THIS CAN CAUSE SWEATING OR CONDENSATION.**



# Installation Recommendations

## Installation Recommendations

- A. Use 30 lbs. felt paper and/or ice and water shield as an underlayment.
- B. Panels should be installed against any prevailing wind.
- C. Panels should be installed square, plumb and properly aligned to one another.
- D. Galvanized and galvalume panels should remain void of any condensation containing copper, lead or uncoated steel materials.
- E. In situations where an endlap of a panel is required, be certain to overlap upper panel a minimum of 8" over lower panel and apply sealant and butyl lap tape uniformly between the two panels.

## Ventilation / Insulation

Proper design and installation of vapor barriers and ventilation systems are important to prevent condensation and the resulting problems of moisture damage and loss of insulation efficiency. Condensation occurs when moisture-laden air comes in contact with a surface temperature equal to or below the dew point of the air. This phenomenon creates problems that are not unique with metal buildings; these problems are common to all types of construction. In addition to providing resistance to heat transfer, insulation can also protect against condensation forming on cold surfaces, either inside the building or within the wall/roof system cavity. The arrangement of the buildings insulation system and vapor retarder is the responsibility of the building designer. These are some basic guidelines to help control condensation:

- A. The insulation should have a vapor retarder face on the "warm" side of the insulation. For most buildings, this means that the vapor retarder is on the inside surface (toward the buildings interior).
- B. The thickness of the insulation must be designed to maintain temperature of the vapor retarder above the interior dew point, using the worst-case expected outside temperature.
- C. All perimeter conditions, seams, and penetrations of the vapor retarder must be adequately sealed in order to provide a continuous membrane to resist the passage of water vapor.
- D. Building ventilation, whether by gravity ridge vent, power-operated fans, or other means, contributes significantly to reduced condensations. The movement of air to the outside of the building reduces the interior level of vapor pressure. On the buildings that have an attic space or are being retrofitted with a metal roofing system, vents should be placed at both the eave and peak of the roof in order to prevent a buildup of moisture (humidity) in the attic space. Contact your local building code officials or an engineer on proper ventilation practices for your area.

## Cutting

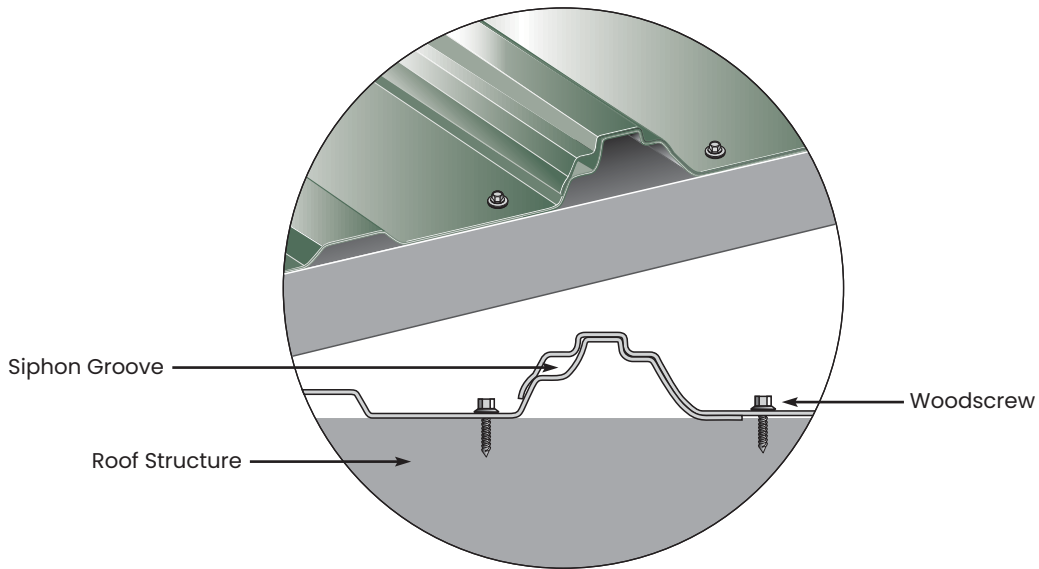
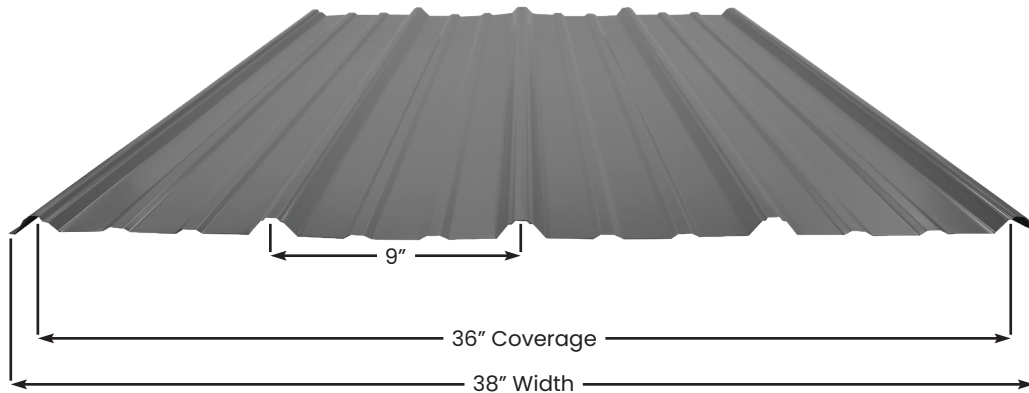
Everlast recommends the use of tin snips or a "nibbler" type electric tool for field cutting metal panels. Cutting metal panels may create metal shavings.

- A. ***These shavings and/or chips must be removed immediately from the panel surface. Failure to remove such shavings or chips may cause staining and/or rust on the panel. Any such surface damage will void the warranty.***
- B. For your protection, goggles should be worn when cutting metal panels and flashing.

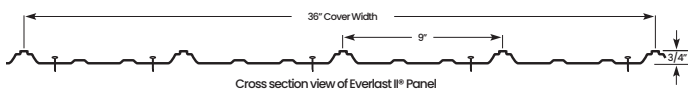
\* This same principle applies when driving steel fasteners (see pages 08 & 09)



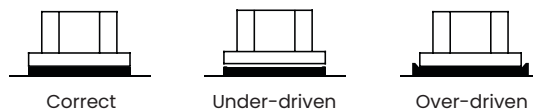
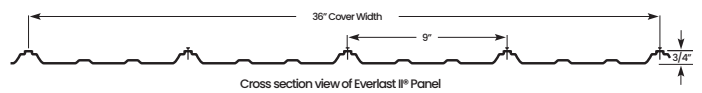
# Everlast II® Overlap & Screw Pattern



## Screw Pattern

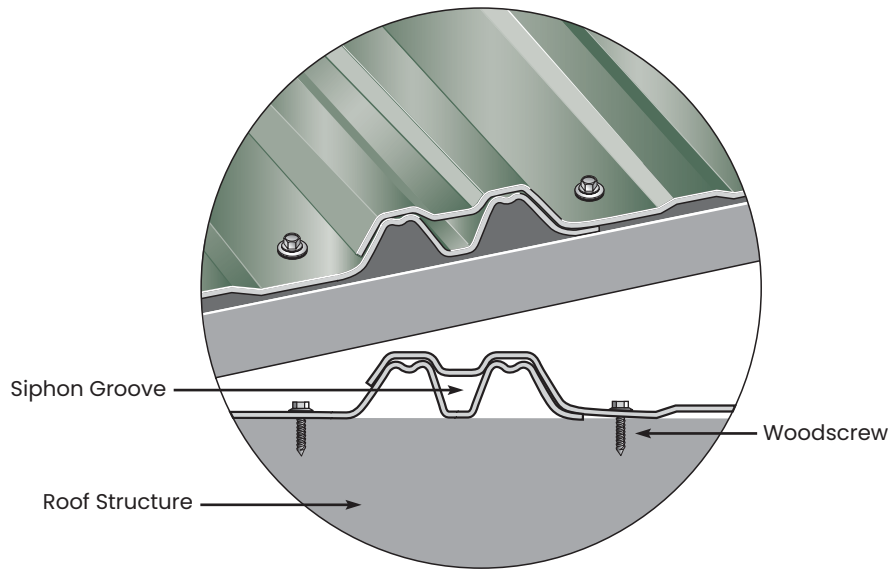
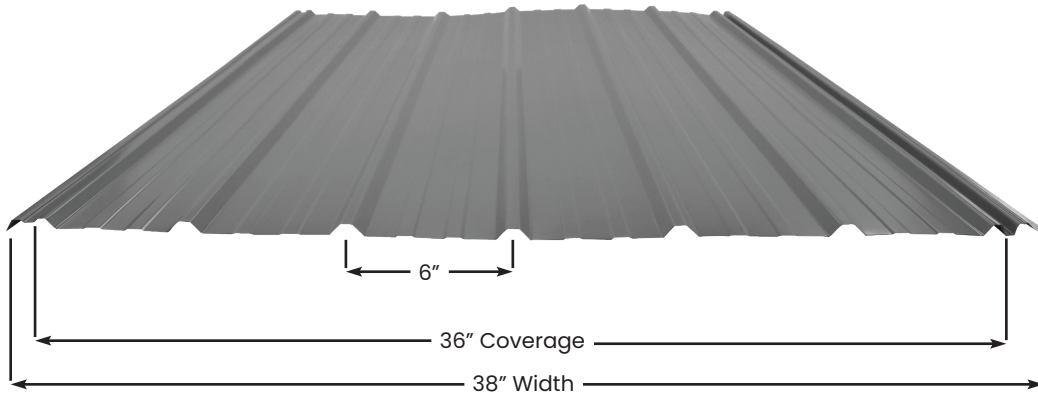


## Nail Pattern





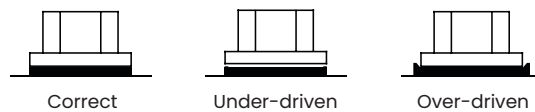
# Everdrain® Overlap & Screw Pattern



## Screw Pattern

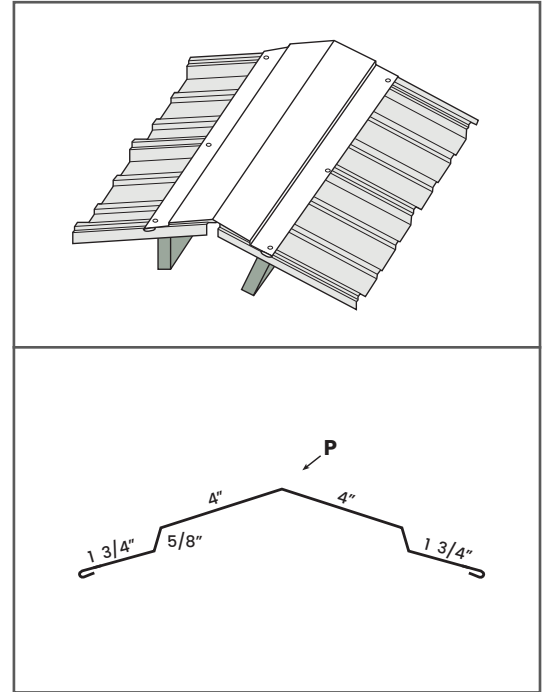
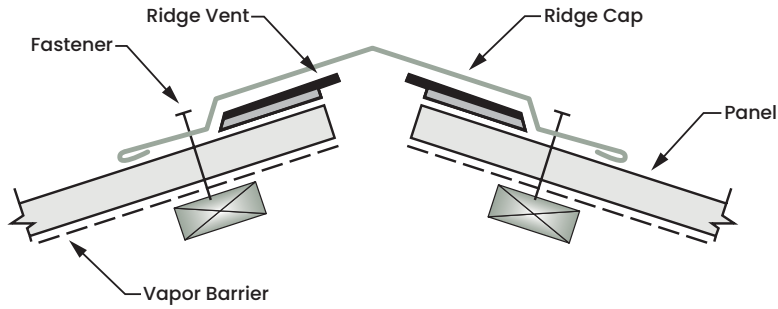


## Nail Pattern



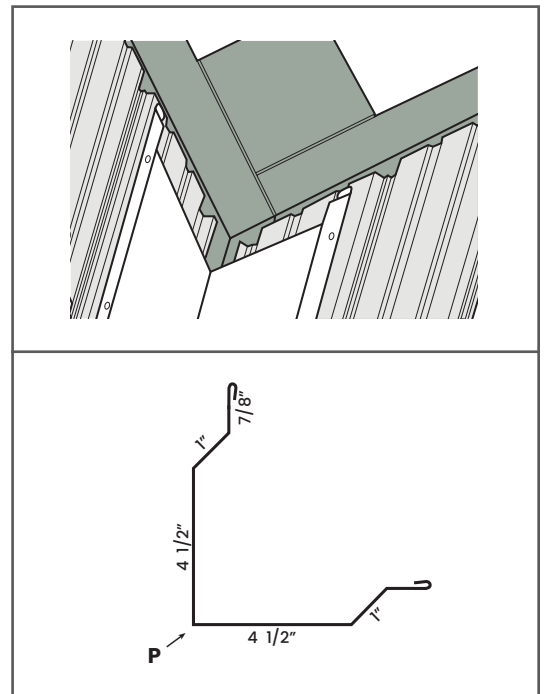
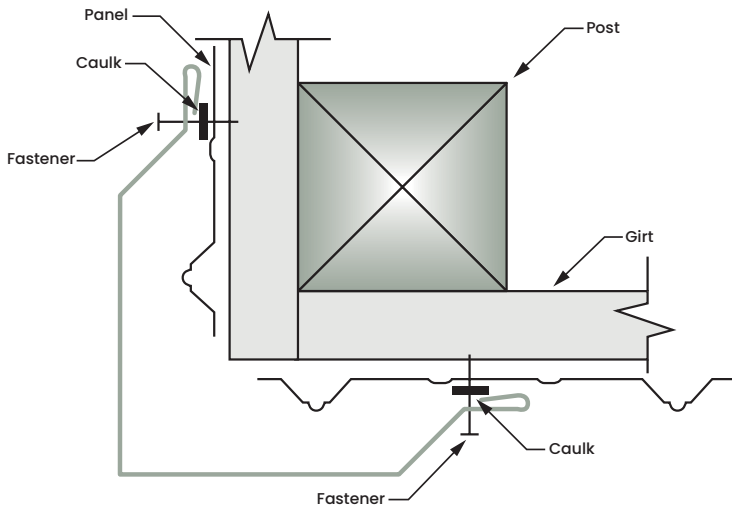
# POST FRAME UNIVERSAL RIDGE

TLURC1 - #01 Universal Ridge



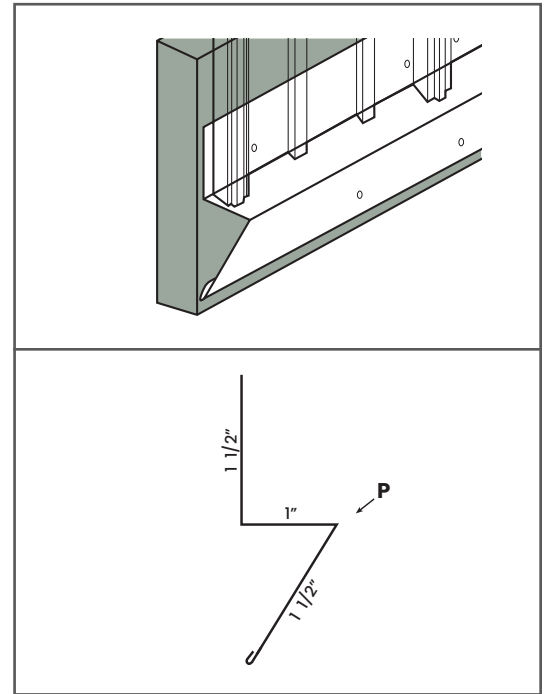
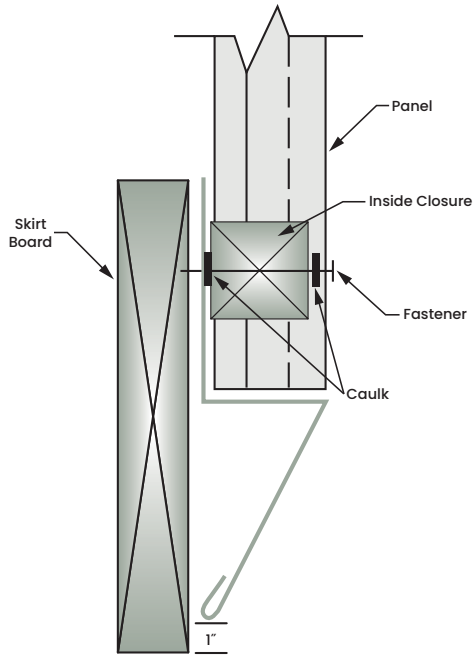
# POST FRAME RAKE & CORNER

TLRC2 - #02 Rake & Corner



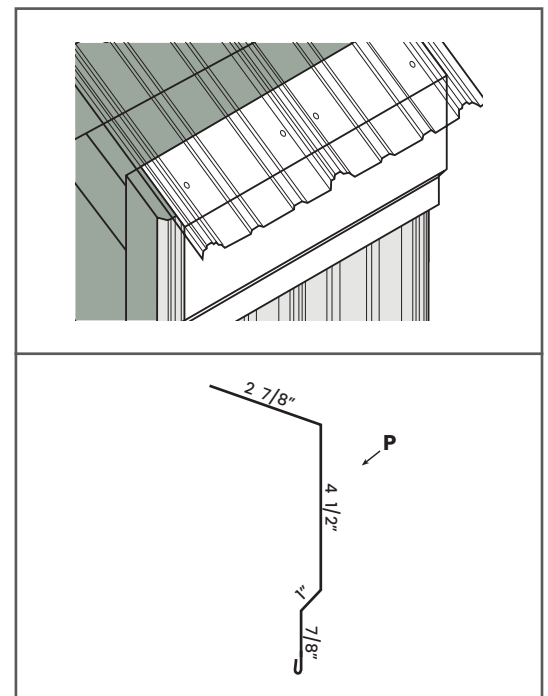
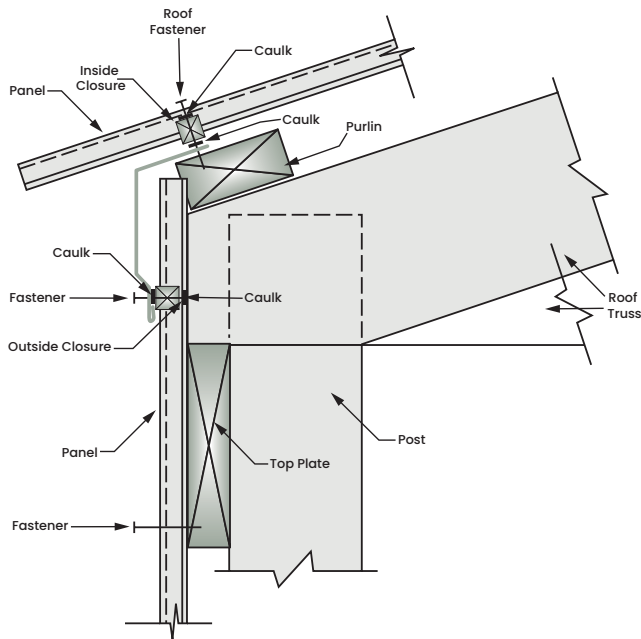
# POST FRAME BASE ANGLE

TLBA3 - #03 Base Angle



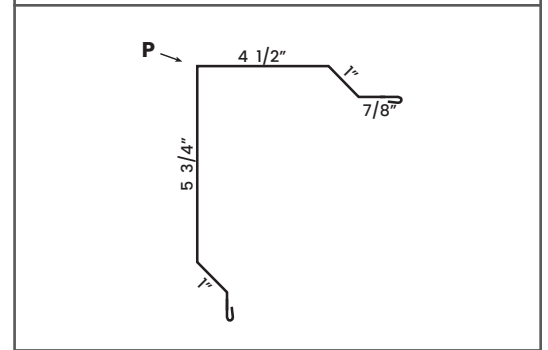
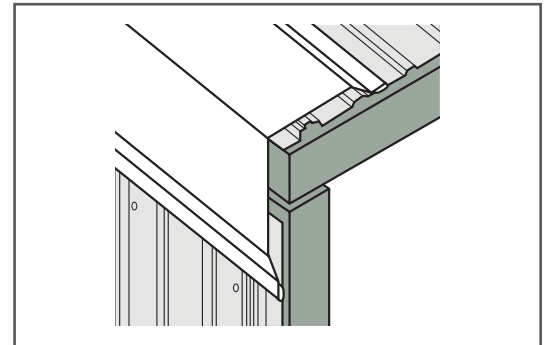
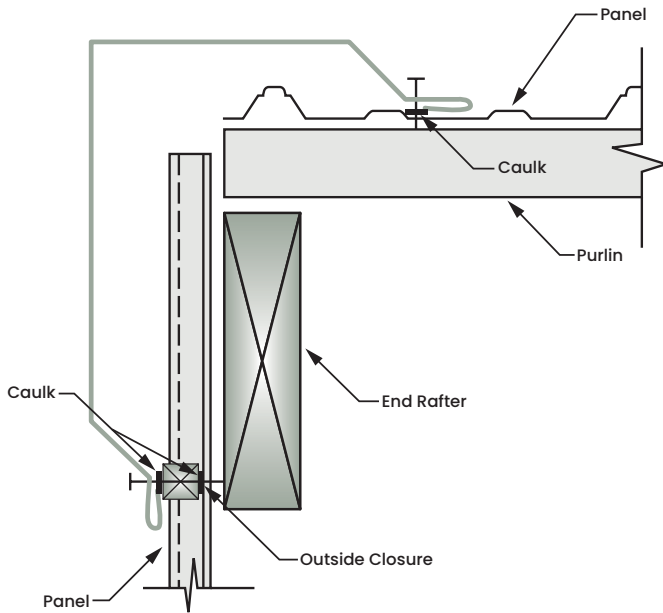
# POST FRAME FASCIA TRIM

TLFT4 - #04 Fascia Trim



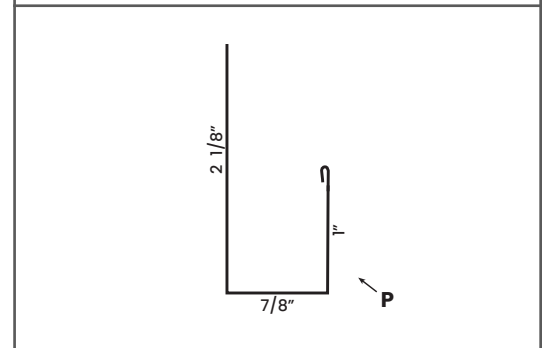
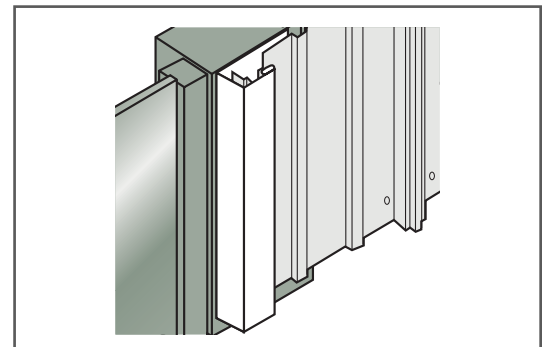
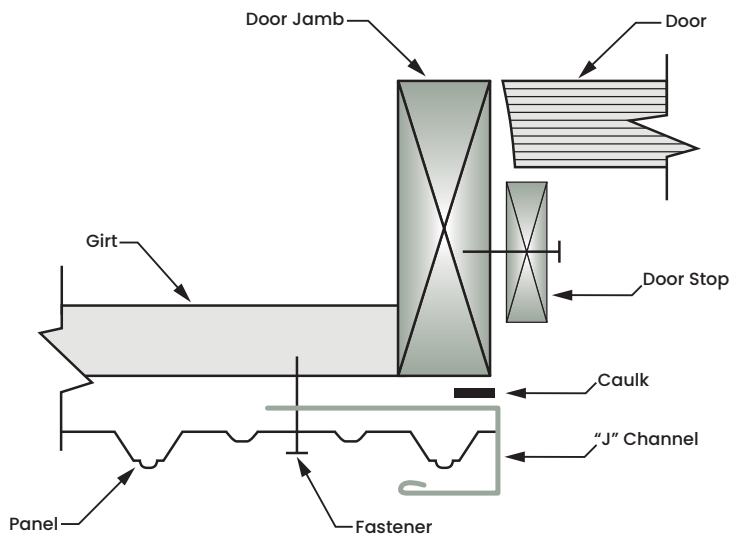
# POST FRAME GABLE TRIM

TLGT5 - #05 Gable Trim



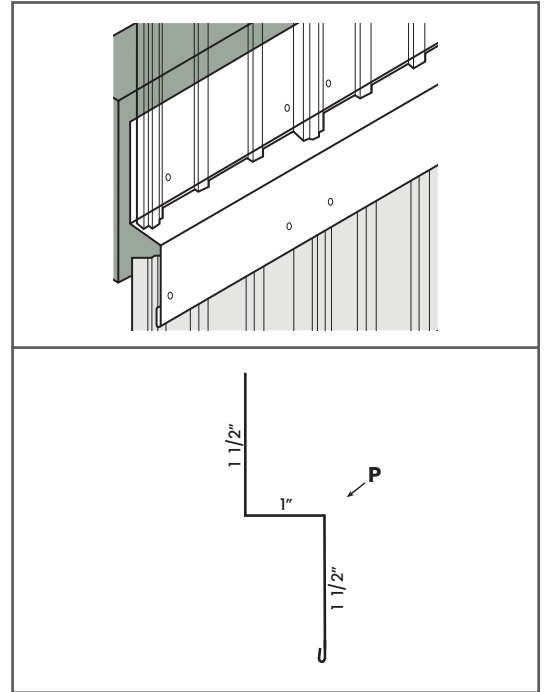
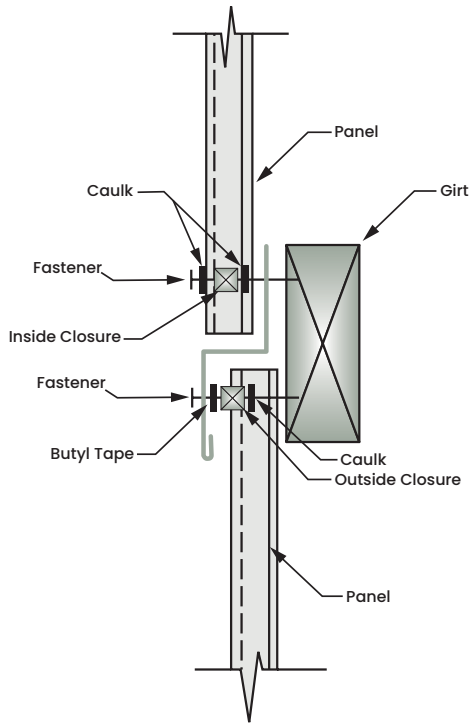
# POST FRAME "J" CHANNEL

TLJC6 - #06 "J" Channel



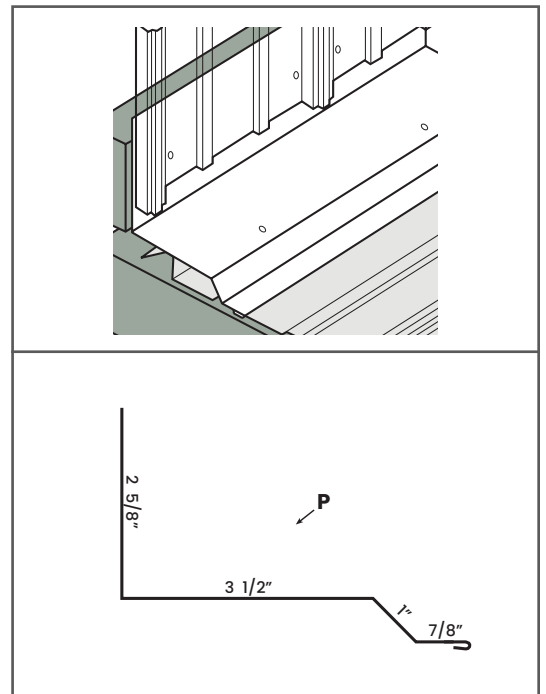
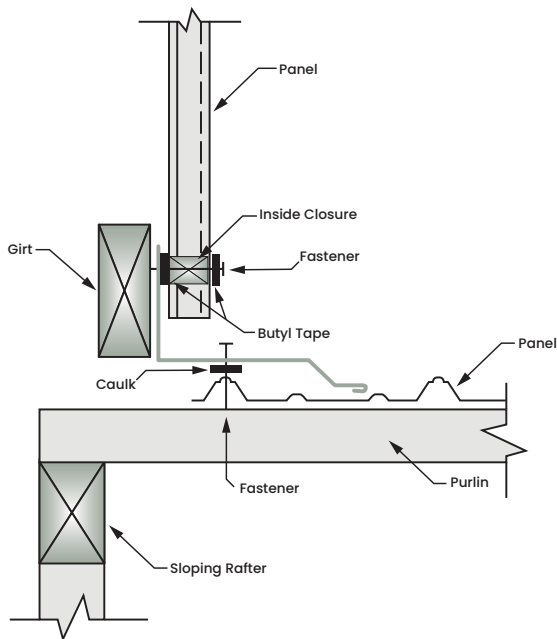
# POST FRAME DOUBLE ANGLE

TLDA7 - #07 Double Angle



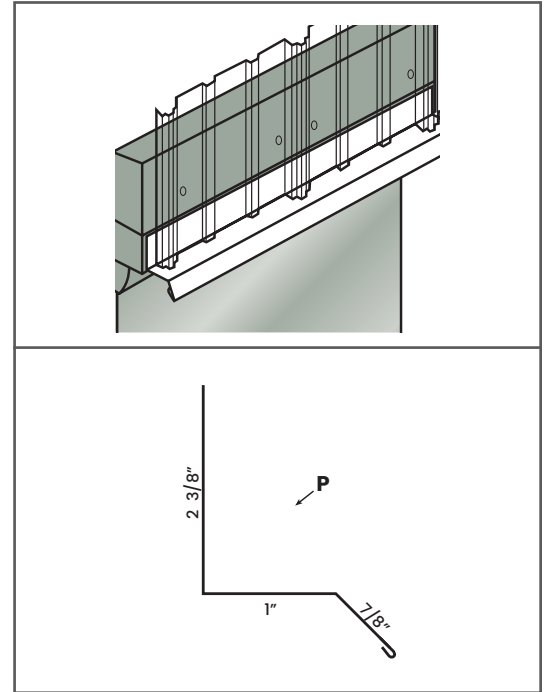
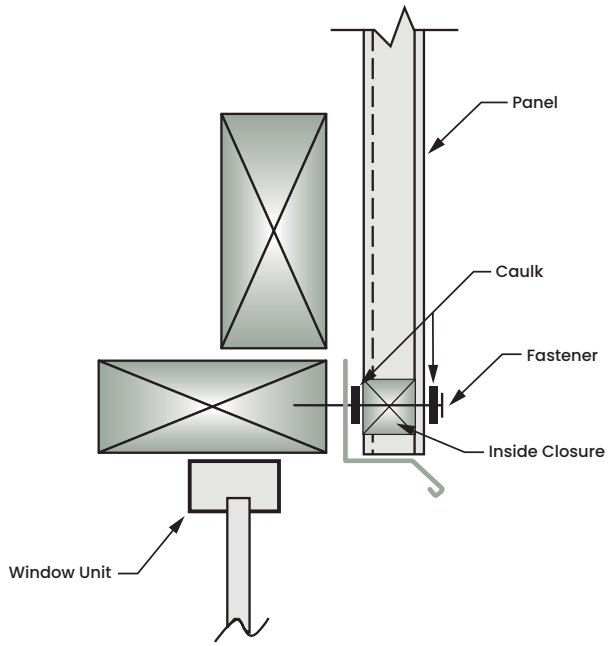
# POST FRAME UNIVERSAL SIDEWALL

TLUS8 - #08 Universal Sidewall



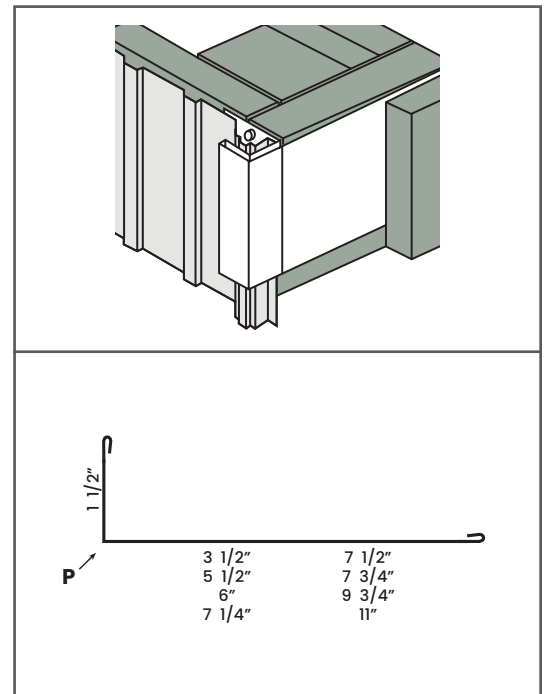
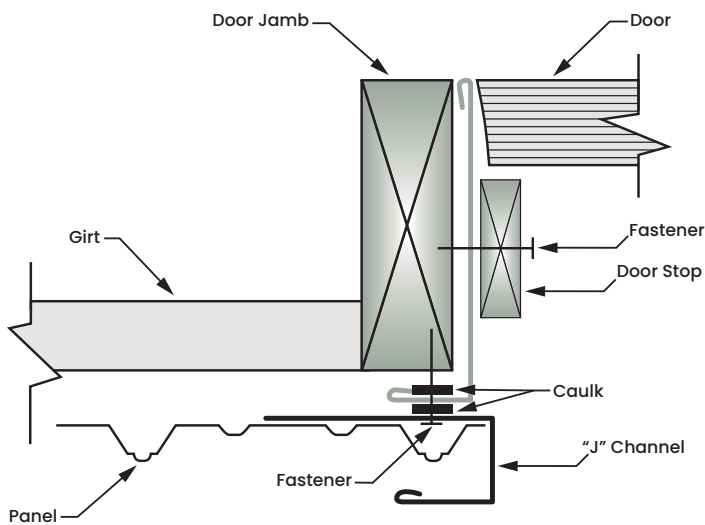
# POST FRAME DRIP CAP

TLDC9 - #09 Drip Cap



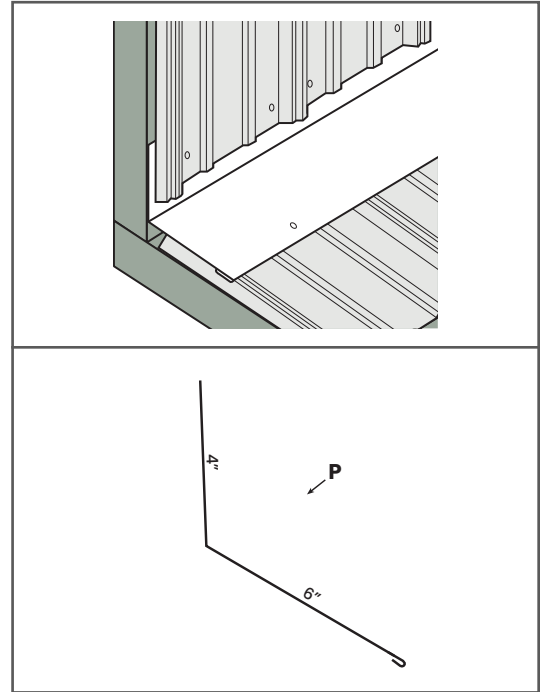
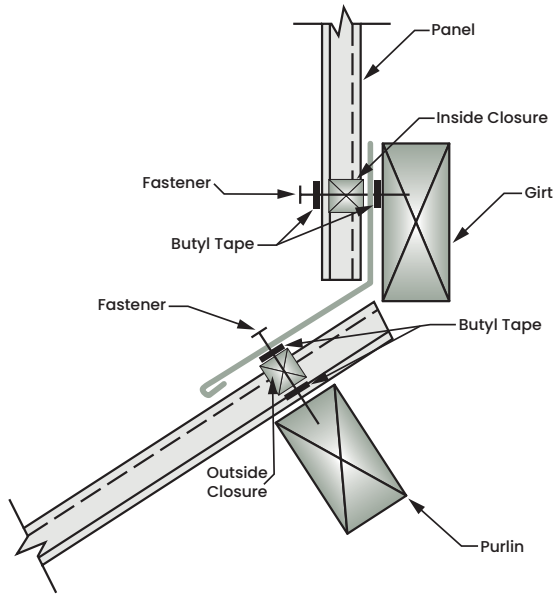
# POST FRAME POST TRIM

TLPT10 - #10 Post Trim



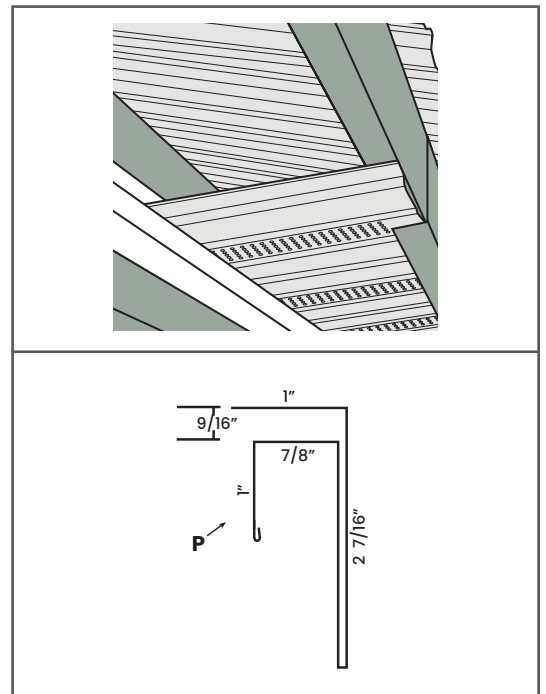
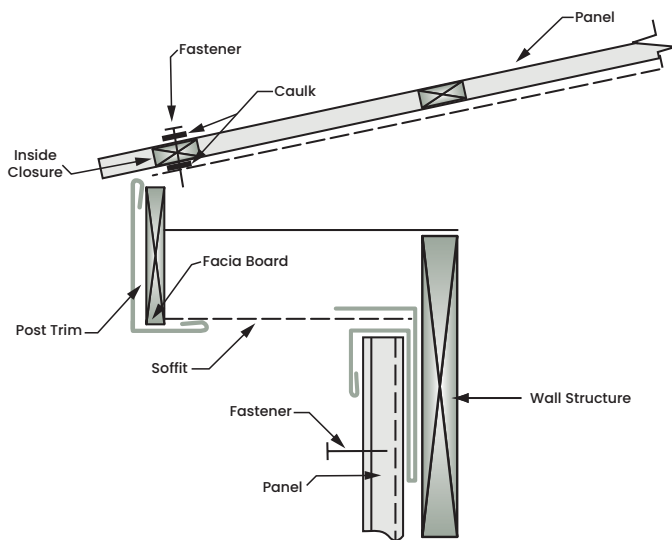
# POST FRAME UNIVERSAL ENDWALL

TLUE11 - #11 Universal Endwall



# POST FRAME "F" & "J" TRIM

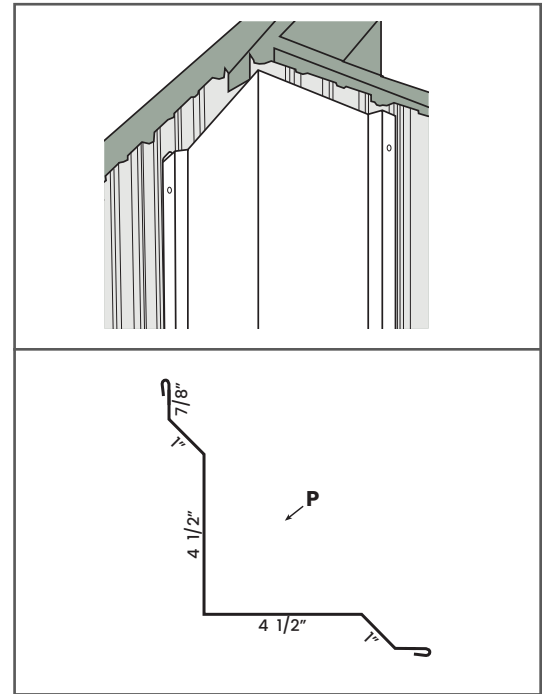
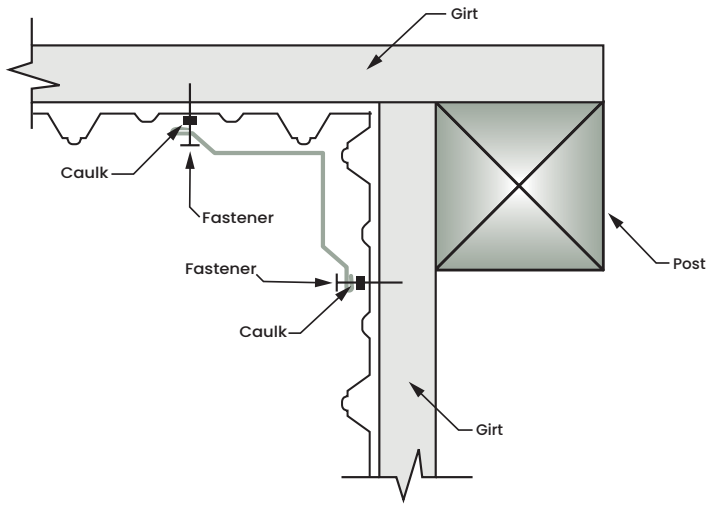
TLFJ12 - #12 "F" & "J" Trim





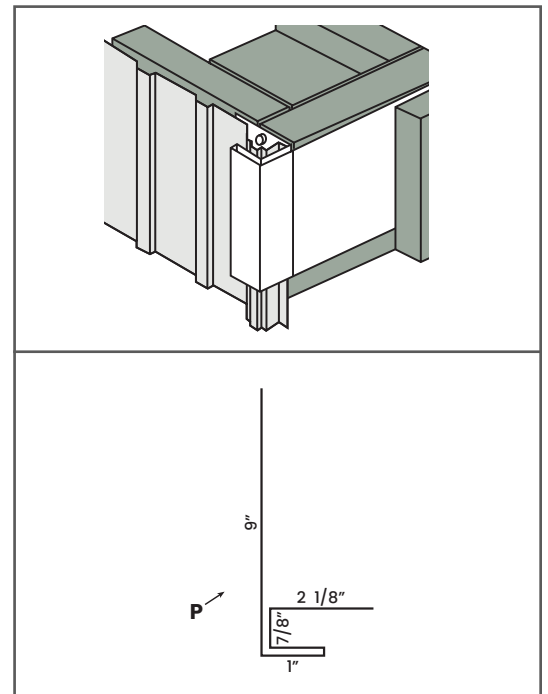
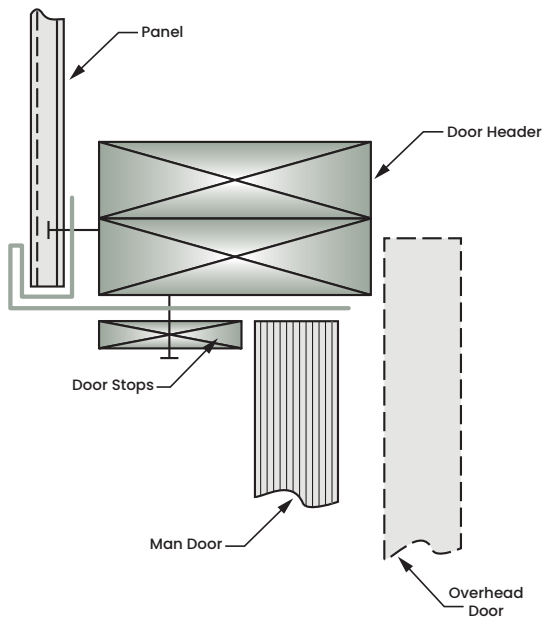
# POST FRAME INSIDE CORNER

TLIC13 - #13 Inside Corner



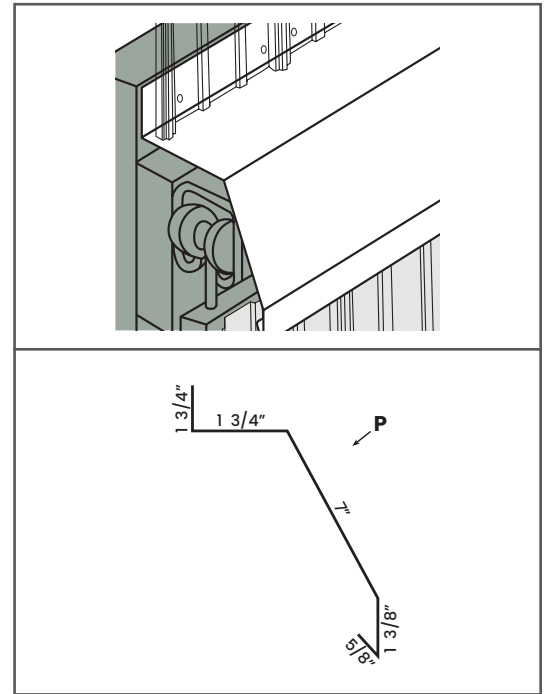
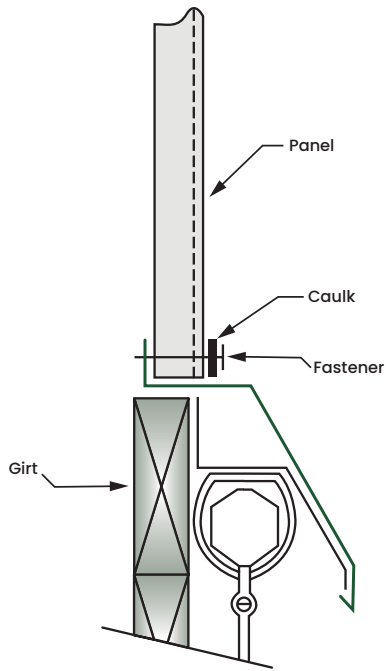
# POST FRAME OVERHEAD DOOR

TLODT14 - #14 Overhead Door



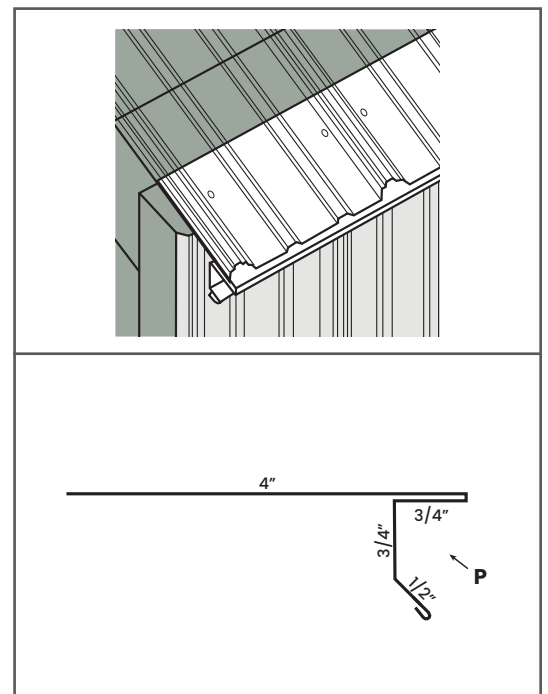
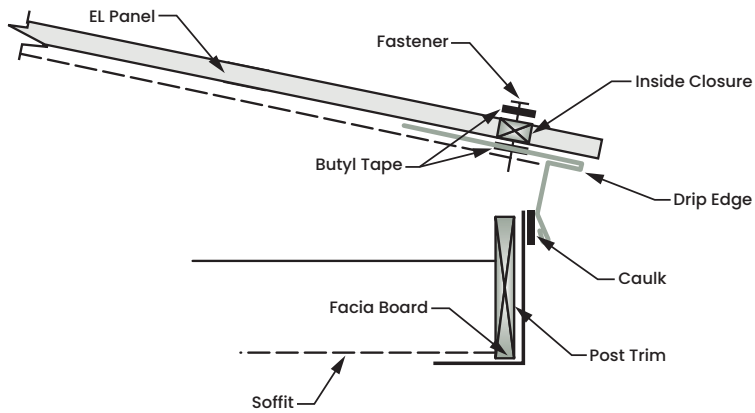
# POST FRAME TRACK COVER CANNONBALL FM

TLCT15 - #15 Track Cover Cannonball FM



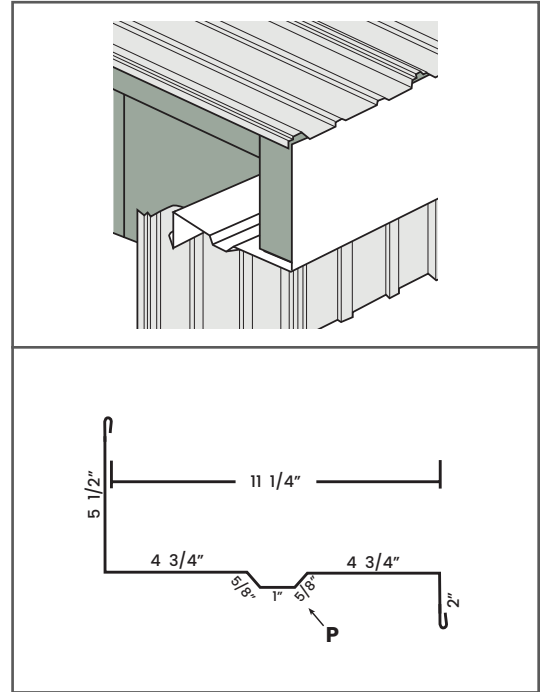
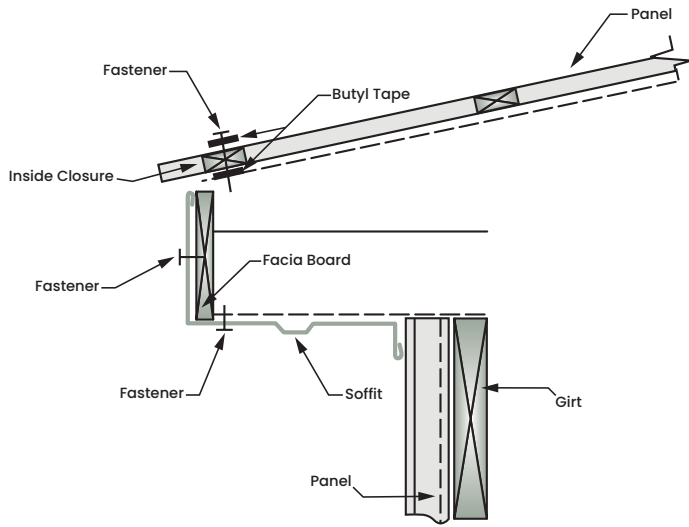
# POST FRAME DRIP EDGE

TL6.5F60 - #60 Drip Edge



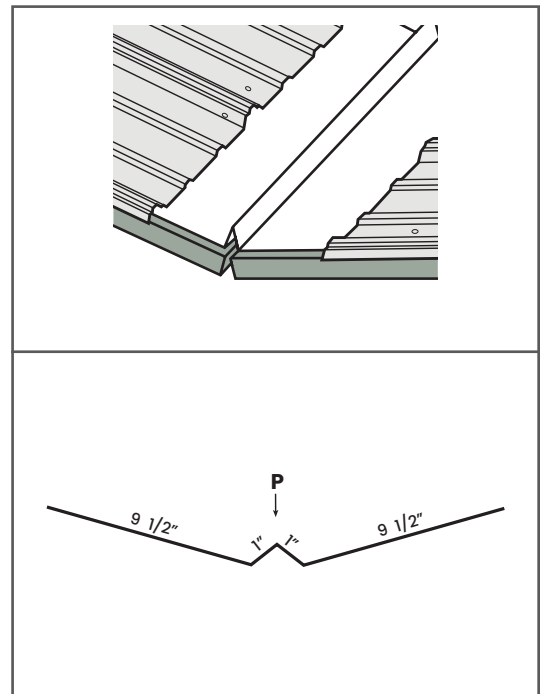
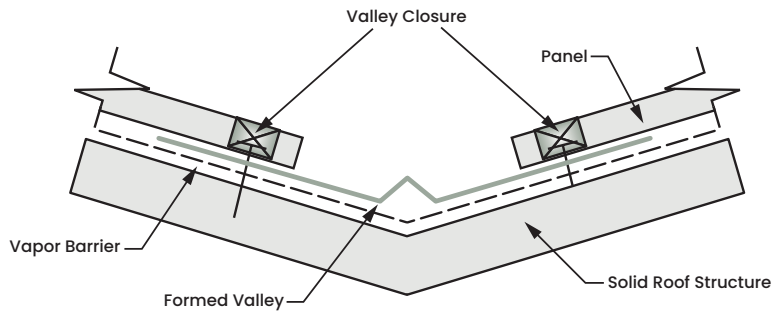
# POST FRAME FASCIA & SOFFIT

TLFS17 - #17 Fascia & Soffit



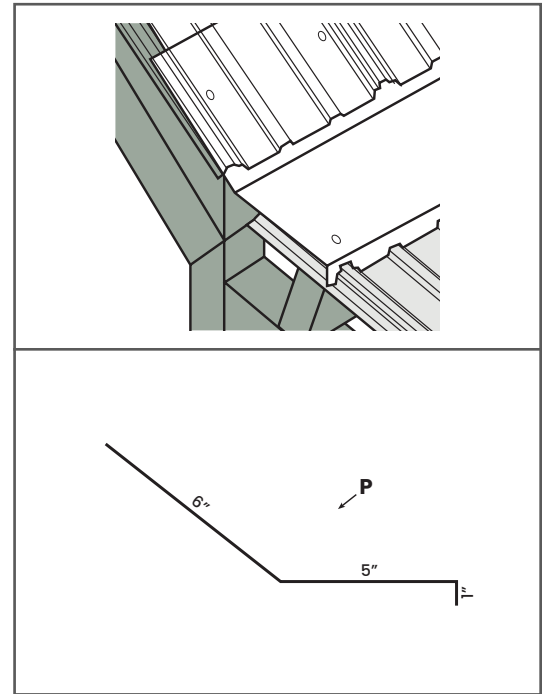
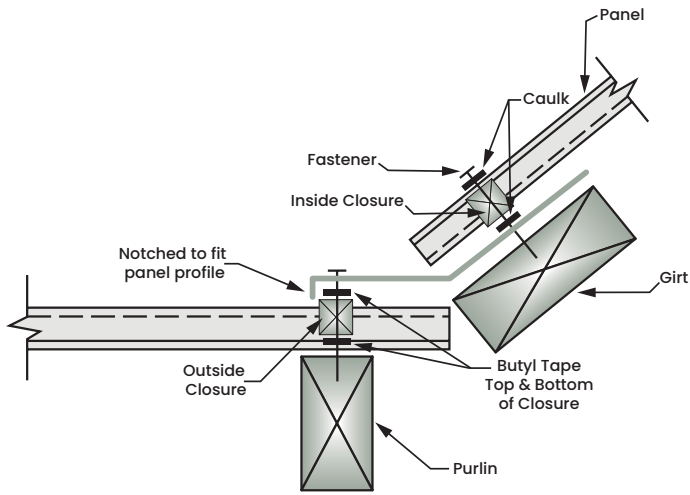
# POST FRAME FORMED VALLEY

TLFV19 - #19 Formed Valley



# POST FRAME NOTCHED ENDWALL EL

TLNEEL32 - #32 Notched Endwall EL















# **Everlast Roofing, Inc.**

**OUR NAME SAYS IT ALL**

LEBANON, PA  
**888.339.0059**

ORWELL, OH  
**877.866.9955**

HOWE, IN  
**866.562.3782**

BRIDGTON, ME  
**800.677.2060**

**EVERLASTROOFING.COM**